

SMD POWER INDUCTORS

Series PS *Shielded*



FEATURES

- ◆ Magnetics Shielded surface mount inductor with high current rating
- ◆ Low resistance to keep power loss minimum..

APPLICATIONS

- ◆ DC to DC Converter
- ◆ Power supply for VTRs
- ◆ OA equipment
- ◆ LCD Television
- ◆ Notebook ' Computer' Interface Card... Etc.

PRODUCT IDENTIFICATION

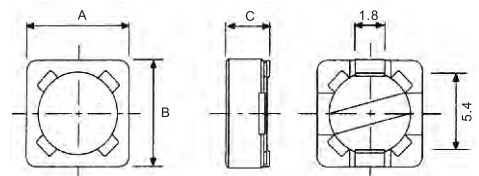
PS 06 X 03 2 M 10U
 a b c d e f g

- a : Type of Products - SMD Power Inductors PS series.
 b : Dimension(mm) - 06 : 6.8X6.2 07 : 7.3X7.3 12 : 12X12
 c : Materials - X = No Define
 d : Thickness(mm) - 03 = 3.2 04 = 4.6 05 = 5.0 6 = 6.0 08 = 8.0
 e : Packing - PCS/REEL - 2 = 2000, 1 = 1000, I = 500
 f : Tolerance - M : ±20% 3 : ±30%
 g : Inductance - 100N = 0.1uH, 10U = 10.0 uH, 1M2 = 1200uH

SHAPES & DIMENSIONS

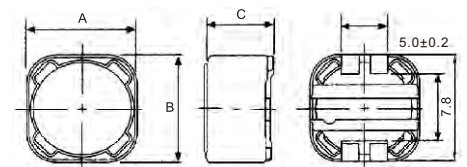
Dimensions in mm

Type	A	B	C
PS06X03	6.8±0.3	6.2±0.3	3.2 Max.
PS07X03	7.3±0.3	7.3±0.3	3.2±0.3
PS07X04	7.3±0.3	7.3±0.3	4.6 Max.



Dimensions in mm

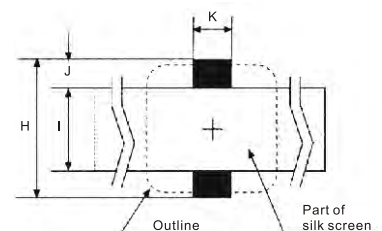
Type	A	B	C
PS12X05	12±0.5	12±0.5	5.0 Max.
PS12X06	12±0.5	12±0.5	6.0 Max.
PS12X08	12±0.5	12±0.5	8.0 Max.



RECOMMENDED LAND PATTERNS

Dimensions in mm

Type	H	I	J	K
PS06X03	8.0	4.8	2.0	1.5
PS07X03	7.8	4.8	1.5	2.2
PS07X04	7.8	4.8	1.5	2.2
PS12X05	12.6	7.0	2.8	5.4
PS12X06	12.6	7.0	2.8	5.4
PS12X08	12.6	7.0	2.8	5.4



SMD POWER INDUCTORS

Series **PS** *Shielded*

ELECTRICAL CHARACTERISTICS

Part Number	Inductance (μ H)	RDC (Ω) max.	Rated D.C Current (A) max.
PS06X032□1U2	1.0	0.030	3.00
PS06X032□1U5	1.5	0.032	2.20
PS06X032□2U9	2.9	0.068	1.94
PS06X032□4U	4.0	0.080	1.63
PS06X032□5U5	5.5	0.096	1.40
PS06X032□10U	10	0.150	1.10
PS06X032□12U	12	0.200	1.00
PS06X032□15U	15	0.230	0.90
PS06X032□18U	18	0.270	0.80
PS06X032□22U	22	0.340	0.74
PS06X032□27U	27	0.380	0.66
PS06X032□33U	33	0.450	0.59
PS06X032□39U	39	0.490	0.54
PS06X032□47U	47	0.690	0.50
PS06X032□56U	56	0.780	0.46
PS06X032□68U	68	1.070	0.42
PS06X032□82U	82	1.210	0.38
PS06X032□100U	100	1.390	0.34
PS06X032□120U	120	1.900	0.31
PS06X032□150U	150	2.180	0.28
PS06X032□180U	180	2.770	0.26
PS06X032□220U	220	3.200	0.23
PS06X032□270U	270	4.380	0.22
PS06X032□330U	330	4.940	0.19
PS06X032□470U	470	5.00	0.16
PS06X032□560U	560	5.23	0.15
PS07X031□4U7	4.7	0.065	2.27
PS07X031□10U	10	0.076	1.68
PS07X031□12U	12	0.098	1.52
PS07X031□15U	15	0.150	1.33
PS07X031□18U	18	0.170	1.20
PS07X031□22U	22	0.190	1.07
PS07X031□27U	27	0.230	0.96
PS07X031□33U	33	0.280	0.91
PS07X031□39U	39	0.340	0.77
PS07X031□47U	47	0.360	0.76
PS07X031□56U	56	0.470	0.68
PS07X031□68U	68	0.520	0.61
PS07X031□82U	82	0.690	0.57
PS07X031□100U	100	0.790	0.50
PS07X031□120U	120	0.890	0.49
PS07X031□150U	150	1.270	0.43
PS07X031□180U	180	1.450	0.39
PS07X031□220U	220	1.650	0.35
PS07X031□270U	270	2.310	0.32
PS07X031□330U	330	2.620	0.28
PS07X031□390U	390	2.940	0.26
PS07X031□470U	470	4.180	0.24
PS07X031□560U	560	4.670	0.22
PS07X031□680U	680	5.730	0.19
PS07X031□820U	820	6.540	0.18
PS07X031□1M	1000	9.440	0.16

SMD POWER INDUCTORS

Series **PS** *Shielded*

ELECTRICAL CHARACTERISTICS

Part Number	Inductance (μ H)	RDC (Ω) max.	Rated D.C Current (A) max.
PS07X041□4U7	4.7	0.047	2.47
PS07X041□10U	10	0.056	1.84
PS07X041□12U	12	0.060	1.71
PS07X041□15U	15	0.085	1.47
PS07X041□18U	18	0.100	1.31
PS07X041□22U	22	0.110	1.23
PS07X041□27U	27	0.180	1.12
PS07X041□33U	33	0.250	0.96
PS07X041□39U	39	0.260	0.91
PS07X041□47U	47	0.280	0.88
PS07X041□56U	56	0.380	0.75
PS07X041□68U	68	0.400	0.69
PS07X041□82U	82	0.430	0.61
PS07X041□100U	100	0.610	0.60
PS07X041□120U	120	0.660	0.52
PS07X041□150U	150	0.880	0.46
PS07X041□180U	180	0.980	0.42
PS07X041□220U	220	1.170	0.36
PS07X041□270U	270	1.640	0.34
PS07X041□330U	330	1.860	0.32
PS07X041□390U	390	2.850	0.29
PS07X041□470U	470	3.010	0.26
PS07X041□560U	560	3.620	0.23
PS07X041□680U	680	4.630	0.22
PS07X041□820U	820	5.200	0.20
PS07X041□1M	1000	6.000	0.18

SMD POWER INDUCTORS

Series **PS** *Shielded*

ELECTRICAL CHARACTERISTICS

Part Number	Inductance (μ H)	Test Frequency (Hz)	RDC (Ω) max.	Rated D.C Current (A) max.
PS12X05I33U9	3.9 \pm 30%	1V/100K	0.015	6.50
PS12X05I34U7	4.7 \pm 30%	1V/100K	0.018	5.70
PS12X05I36U8	6.8 \pm 30%	1V/100K	0.23	4.90
PS12X05I38U2	8.2 \pm 30%	1V/100K	0.26	4.60
PS12X05IM10U	10 \pm 20%	1V/100K	0.028	4.50
PS12X05IM12U	12 \pm 20%	1V/100K	0.038	4.00
PS12X05IM15U	15 \pm 20%	1V/100K	0.050	3.20
PS12X05IM18U	18 \pm 20%	1V/100K	0.057	3.10
PS12X05IM22U	22 \pm 20%	1V/100K	0.066	2.90
PS12X05IM27U	27 \pm 20%	1V/100K	0.080	2.80
PS12X05IM33U	33 \pm 20%	1V/100K	0.097	2.70
PS12X05IM39U	39 \pm 20%	1V/100K	0.132	2.10
PS12X05IM47U	47 \pm 20%	1V/100K	0.150	1.90
PS12X05IM56U	56 \pm 20%	1V/100K	0.190	1.80
PS12X05IM68U	68 \pm 20%	1V/100K	0.220	1.50
PS12X05IM82U	82 \pm 20%	1V/100K	0.260	1.30
PS12X05IM100U	100 \pm 20%	1V/100K	0.308	1.20
PS12X05IM120U	120 \pm 20%	1V/100K	0.380	1.10
PS12X05IM150U	150 \pm 20%	1V/100K	0.530	0.95
PS12X05IM180U	180 \pm 20%	1V/100K	0.620	0.85
PS12X05IM220U	220 \pm 20%	1V/100K	0.700	0.80
PS12X05IM270U	270 \pm 20%	1V/100K	0.870	0.60
PS12X05IM330U	330 \pm 20%	1V/100K	0.990	0.50
PS12X06I31U3	1.3 \pm 30%	1V/7.96M	0.012	8.00
PS12X06I32U1	2.1 \pm 30%	1V/7.96M	0.014	7.00
PS12X06I33U1	3.1 \pm 30%	1V/7.96M	0.017	6.00
PS12X06I34U4	4.4 \pm 30%	1V/7.96M	0.02	5.00
PS12X06I35U8	5.8 \pm 30%	1V/7.96M	0.021	4.40
PS12X06I37U5	7.5 \pm 30%	1V/7.96M	0.024	4.30
PS12X06IM10U	10 \pm 20%	1V/1K	0.025	4.00
PS12X06IM12U	12 \pm 20%	1V/1K	0.027	3.50
PS12X06IM15U	15 \pm 20%	1V/1K	0.030	3.30
PS12X06IM18U	18 \pm 20%	1V/1K	0.034	3.00
PS12X06IM22U	22 \pm 20%	1V/1K	0.036	2.80
PS12X06IM27U	27 \pm 20%	1V/1K	0.051	2.30
PS12X06IM33U	33 \pm 20%	1V/1K	0.057	2.10
PS12X06IM39U	39 \pm 20%	1V/1K	0.068	2.00
PS12X06IM47U	47 \pm 20%	1V/1K	0.075	1.80
PS12X06IM56U	56 \pm 20%	1V/1K	0.110	1.70
PS12X06IM68U	68 \pm 20%	1V/1K	0.120	1.50
PS12X06IM82U	82 \pm 20%	1V/1K	0.140	1.40
PS12X06IM100U	100 \pm 20%	1V/1K	0.160	1.30
PS12X06IM120U	120 \pm 20%	1V/1K	0.170	1.10
PS12X06IM150U	150 \pm 20%	1V/1K	0.230	1.00
PS12X06IM180U	180 \pm 20%	1V/1K	0.290	0.90

SMD POWER INDUCTORS

Series **PS** *Shielded*

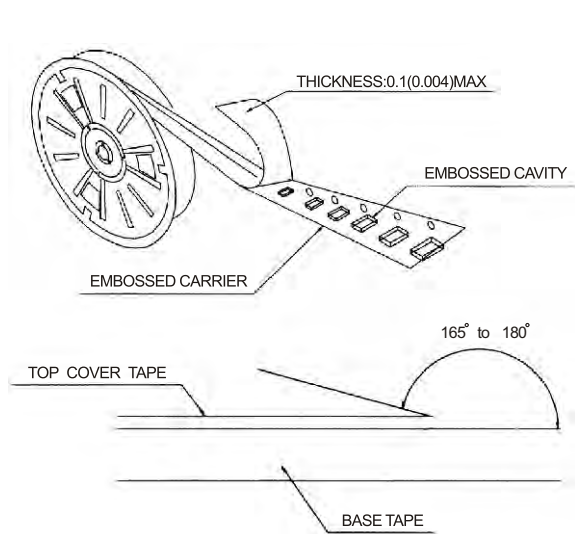
ELECTRICAL CHARACTERISTICS

Part Number	Inductance (μ H)	Test Frequency (Hz)	RDC (Ω) max.	Rated D.C Current (A) max.
PS12X06IM220U	220 \pm 20%	1V/1K	0.400	0.80
PS12X06IM270U	270 \pm 20%	1V/1K	0.460	0.75
PS12X06IM330U	330 \pm 20%	1V/1K	0.510	0.68
PS12X06IM390U	390 \pm 20%	1V/1K	0.690	0.65
PS12X06IM470U	470 \pm 20%	1V/1K	0.770	0.58
PS12X06IM560U	560 \pm 20%	1V/1K	0.860	0.54
PS12X06IM680U	680 \pm 20%	1V/1K	1.200	0.48
PS12X06IM820U	820 \pm 20%	1V/1K	1.340	0.43
PS12X06IM1M	1000 \pm 20%	1V/1K	1.530	0.40
PS12X08I31U2	1.2 \pm 30%	1V/100K	0.0070	9.80
PS12X08I32U4	2.4 \pm 30%	1V/100K	0.0115	8.00
PS12X08I33U5	3.5 \pm 30%	1V/100K	0.0135	7.50
PS12X08I34U7	4.7 \pm 30%	1V/100K	0.0158	6.80
PS12X08I36U1	6.1 \pm 30%	1V/100K	0.0176	6.60
PS12X08I37U6	7.6 \pm 30%	1V/100K	0.0200	5.90
PS12X08IM10U	10 \pm 20%	1V/1K	0.0216	5.40
PS12X08IM12U	12 \pm 20%	1V/1K	0.0243	4.90
PS12X08IM15U	15 \pm 20%	1V/1K	0.0270	4.50
PS12X08IM18U	18 \pm 20%	1V/1K	0.0392	3.90
PS12X08IM22U	22 \pm 20%	1V/1K	0.0432	3.60
PS12X08IM27U	27 \pm 20%	1V/1K	0.0459	3.40
PS12X08IM33U	33 \pm 20%	1V/1K	0.0648	3.00
PS12X08IM39U	39 \pm 20%	1V/1K	0.0729	2.75
PS12X08IM47U	47 \pm 20%	1V/1K	0.1000	2.50
PS12X08IM56U	56 \pm 20%	1V/1K	0.11	2.35
PS12X08IM68U	68 \pm 20%	1V/1K	0.14	2.10
PS12X08IM82U	82 \pm 20%	1V/1K	0.16	1.95
PS12X08IM100U	100 \pm 20%	1V/1K	0.2200	1.70
PS12X08IM120U	120 \pm 20%	1V/1K	0.2500	1.60
PS12X08IM150U	150 \pm 20%	1V/1K	0.28	1.42
PS12X08IM180U	180 \pm 20%	1V/1K	0.3500	1.30
PS12X08IM220U	220 \pm 20%	1V/1K	0.39	1.16
PS12X08IM270U	270 \pm 20%	1V/1K	0.56	1.06
PS12X08IM330U	330 \pm 20%	1V/1K	0.064	0.95
PS12X08IM390U	390 \pm 20%	1V/1K	0.7	0.88
PS12X08IM470U	470 \pm 20%	1V/1K	0.980	0.79
PS12X08IM560U	560 \pm 20%	1V/1K	1.070	0.73
PS12X08IM680U	680 \pm 20%	1V/1K	1.460	0.67
PS12X08IM820U	820 \pm 20%	1V/1K	1.640	0.60
PS12X08IM1M	1000 \pm 20%	1V/1K	1.820	0.55

SMD POWER INDUCTORS

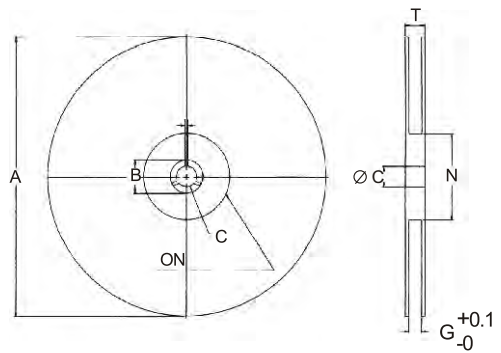
Series **PS** *Shielded*

PACKAGING FOR SMD



The force for tearing off cover tape is 10 to 60 grams in the arrow direction.

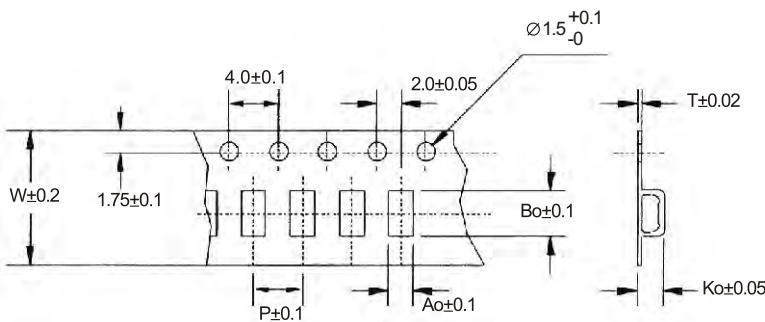
CARRIER TAPE REELS



Unit : mm

Width	A	B	C	G	N	T	MATERIALS
8mm	178	21.0±0.8	13.0±0.2	8.4	55	12.4	PLASTIC
12mm	178	21.0±0.8	13.0±0.2	12.4	55	16.4	PAPER
16mm	178	21.0±0.8	13.0±0.2	16.4	55	20.4	PAPER
24mm	178	21.0±0.8	13.0±0.2	24.4	100	28.4	PLASTIC
12mm	330	21.0±0.8	13.0±0.2	12.4	100	16.4	PLASTIC
16mm	330	21.0±0.8	13.0±0.2	16.4	100	20.4	PLASTIC
24mm	330	21.0±0.8	13.0±0.2	24.4	100	28.4	PLASTIC
24mm	330	21.0±0.8	13.0±0.2	24.4	75	28.4	PLASTIC
32mm	330	21.0±0.8	13.0±0.2	32.4	75	36.0	PLASTIC

TAPE DIMENSION / PACKAGING



Unit : mm

Type	A0	B0	K0	W	P	T	Q'ty/Reel
PS06X03	6.20	6.80	3.20	12.0	12.0	0.40	2,000
PS07X03	7.80	7.80	3.70	16.0	12.0	0.30	1,000
PS07X04	7.60	7.60	5.40	16.0	12.0	0.40	1,000
PS12X05	12.60	12.60	5.20	24.0	16.0	0.40	500
PS12X06	12.60	12.60	6.00	24.0	16.0	0.40	500
PS12X08	12.60	12.60	8.30	24.0	16.0	0.40	500

